



CARRY SIGHTS SERIES

FOR MANUFACTURERS ONLY

LPA was established in 1974 with ambitious goal: supply the whole world with top-quality sights!

Now this goal becomes reality thank to our constant efforts and commitment to produce a superior quality products. State-of-the-art technology, products machined exclusively from solid steel by CNC machines, and more than 35 years of experience have endowed us with the versatility needed in our work: that's why, at the present, we are able to confirm our full availability in modifying any item in compliance with our customers' drawings or in creating something special according to their particular requests.

SINCE 1974

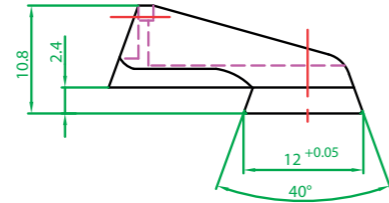
for  pistol slides type



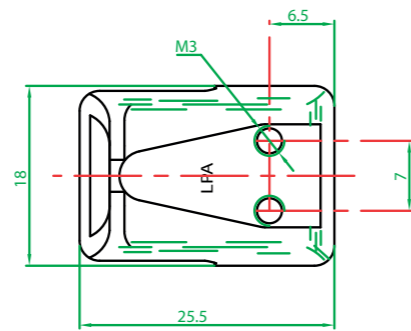
CPS1 fixed sights interchangeable with MPS1



CPS130



CPS1F
fiber optic blade



CPS1T
tritium blade

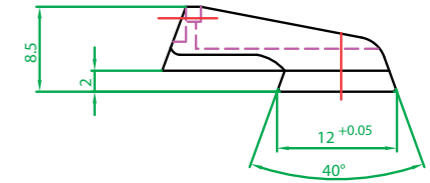
for  pistol slides type



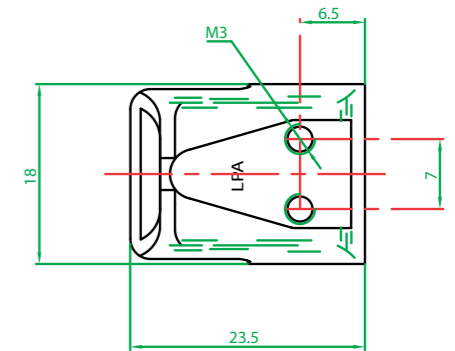
CPS2 fixed sights interchangeable with MPS2



CPS230



CPS2F
fiber optic blade



CPS2T
tritium blade

MPS1 adjustable sight interchangeable with CPS1



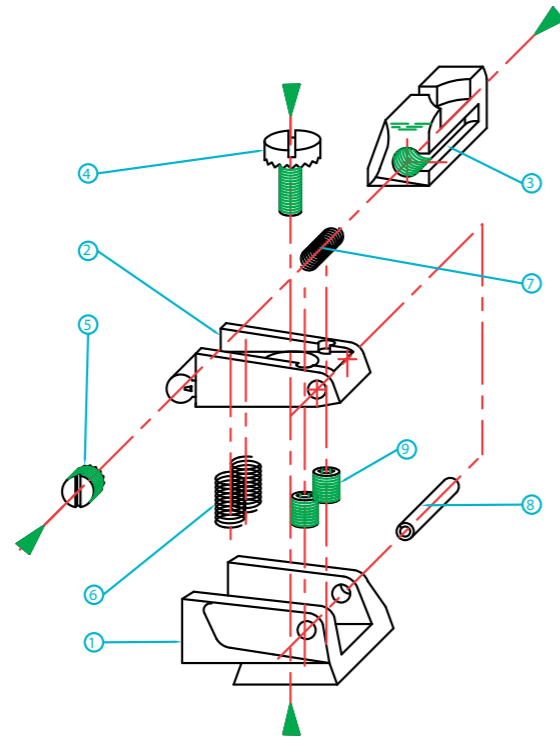
MPS130



MPS1F
fiber optic blade



MPS1T
tritium blade



N°	DRAWING	DESCRIPTION	Q.TY
9	GR3X3	FIXING SCREW	2
8	SE2X14	ELASTIC PIN	1
7	MLS33	SPRING	1
6	MLS920	SPRING	2
5	VCR75	WINDAGE SCREW	1
4	VCR83	ELEVATION SCREW	1
3	FPR09MIM	BLADE	1
2	EPR10MIM	LEVER	1
1	ZPR22MIM	BASE	1

MPS2 adjustable sight interchangeable with CPS2



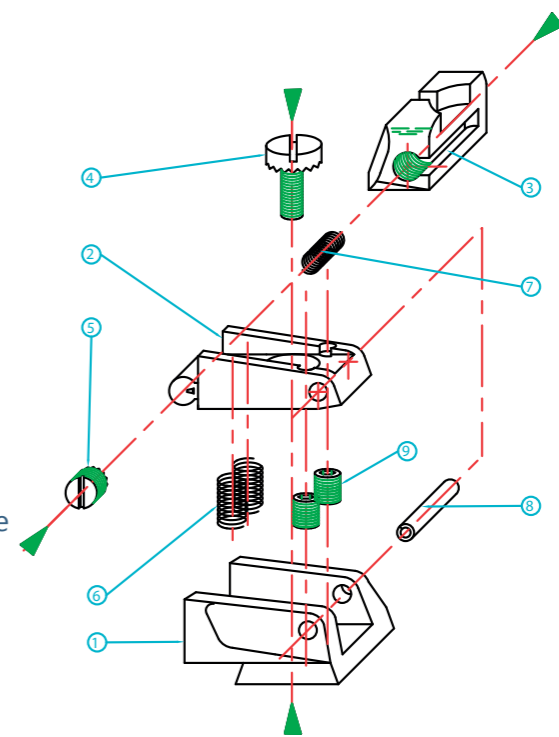
MPS230



MPS2F
fiber optic blade



MPS2T
tritium blade



N°	DRAWING	DESCRIPTION	Q.TY
9	GR3X3	FIXING SCREW	2
8	SE2X14	ELASTIC PIN	1
7	MLS41	SPRING	1
6	MLS42	SPRING	2
5	VCR80	WINDAGE SCREW	1
4	VCR81	ELEVATION SCREW	1
3	FPR11MIM	BLADE	1
2	EPR12MIM	LEVER	1
1	ZPR23MIM	BASE	1